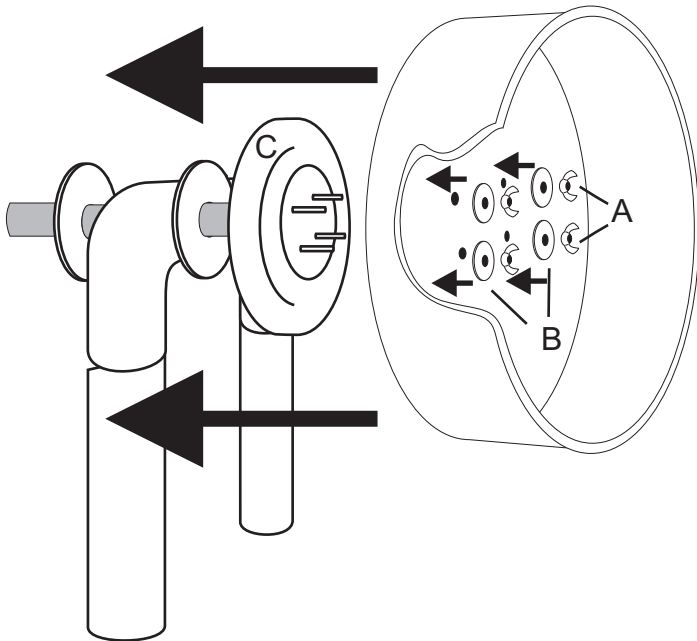


Assembly Instructions for the
Cake Walk Supreme
Hedgehog Wheel

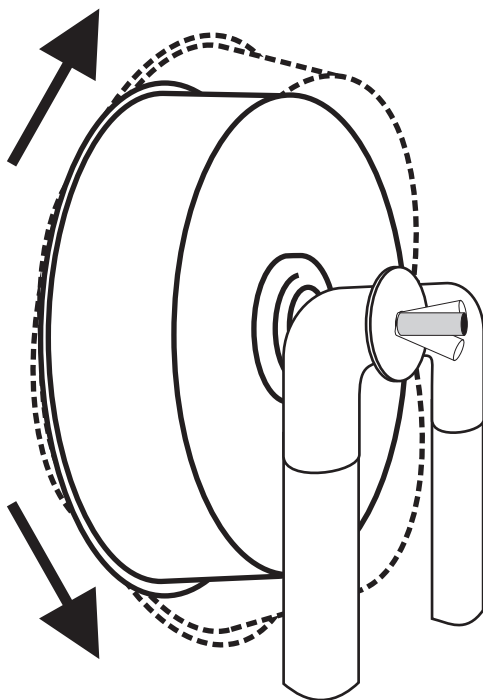
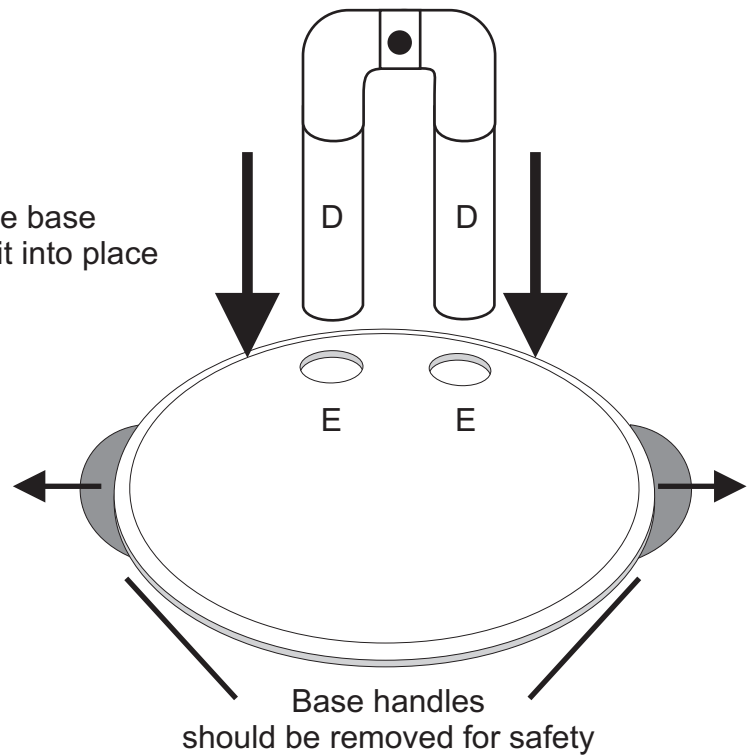
Hog Wallow Industries
Zanesville, OH
www.hedgehogwheel.com



Align the wheel holes with the mounting bolts and gently slide the wheel into position

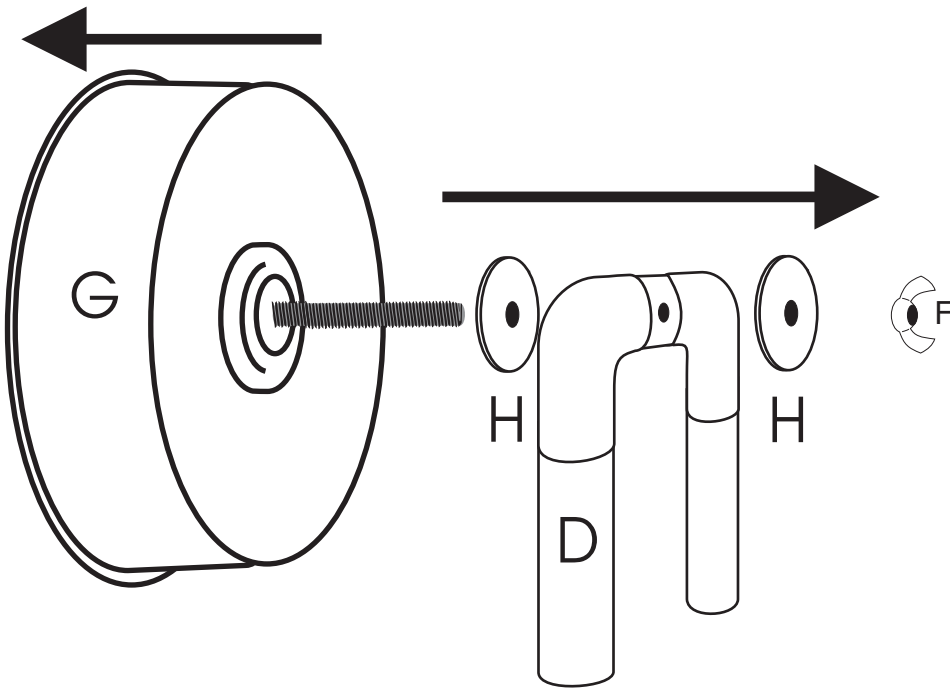
Using the included wingnuts (A) and washers (B) tightly screw the wheel to the bearing (C)

Align the Stand (D) with the base holes (E) and gently slide it into place until snug



F To adjust the pitch (angle) of the wheel loosen the large wingnut (F) on the back and raise or lower the wheel to the desired operating angle

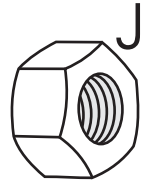
Optional cage wall mounting of the
Cake Walk Supreme
Hedgehog Wheel



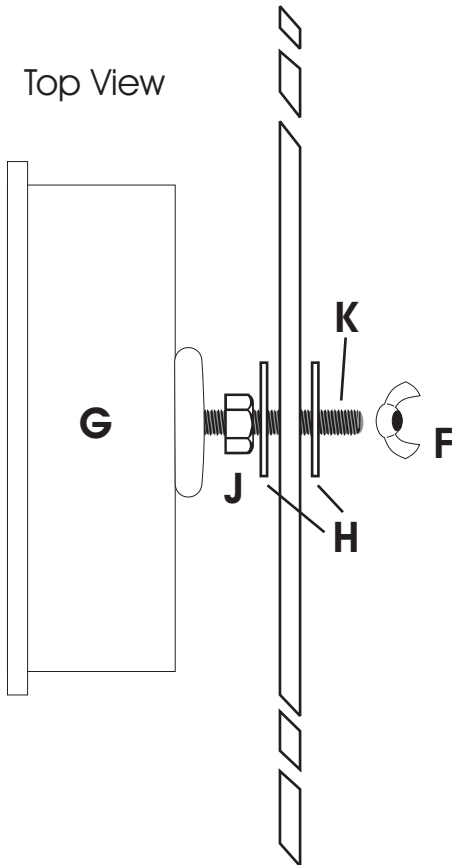
Disassemble the wheel by removing the wingnut (F) to slide the bucket (G) off the mounting stand (D)

Keep the large washers (H) for reassembly

Locate the large nut (J) packaged with the Cake Walk Supreme Wheel



Top View



Thread the nut onto the mounting bolt (K) located on the back of the wheel.

This is adjustable to allow you to set the wheel the desired distance from the cage wall.

Next slide one of the washers (H) over the bolt and slide the bolt through the cage wall

Secure the wheel to the cage wall by first sliding the second washer over the bolt and fasten tightly using the wingnut. (F)